

Vectron.
Innovative in technique and design

Roco



n:
Shape variants
and novelties at a glance

New Vectron models 2018

With the Roco Vectron models, countless colourful variants have their roll out in 2018 on gauge H0 tracks. Whether used for the combined freight traffic or in front of fast trains, our models have something to offer for everyone. In the following pages you will learn more about the Roco Vectron and its multitude of possible variations as well as our latest models.

The paint variants of the depicted models will all be launched with their country-specific and true to the original equipment.

Electric locomotive 475 411-5, BLS Cargo



Art. Nr.: 73927



4/1

Art. Nr.: 73928



4/1

Art. Nr.: 79928



3/1

n:
novelty

- ▶ In current BLS Cargo design for the first time
- ▶ Use in the international freight transport

Electric locomotive 193 805-9, Railpool



Art. Nr.: 73933



4/1

Art. Nr.: 73934



4/1

Art. Nr.: 79934



3/1

n:
novelty

- ▶ Use in the regional passenger rail
- ▶ With logo „DB Regio“ and „Bahnland Bayern“

Electric locomotive 193 295-3, CD



Art. Nr.: 73911



4/1

Art. Nr.: 73912



4/1

Art. Nr.: 79912



3/1

n:
novelty

- ▶ Use in the Eurocity traffic
- ▶ Elaborate printing

Electric locomotive 193 777-0, Lokomotion



Art. Nr.: 73941



4/1

Art. Nr.: 73942



4/1

Art. Nr.: 79942



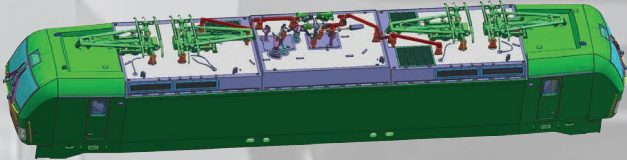
3/1

n:
novelty

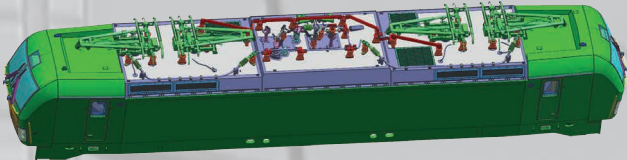
- ▶ Use in the international freight transport and in front of TEE special trains
- ▶ Single Vectron in cream-coloured livery
- ▶ Each side with blue respectively red zebra crossing

Vectron in details

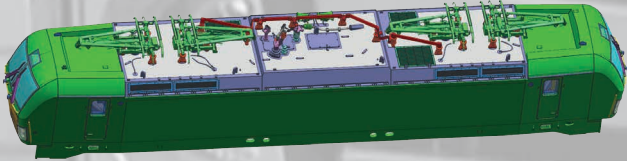
Multi-system Vectron for use in D, CH, IT, NL



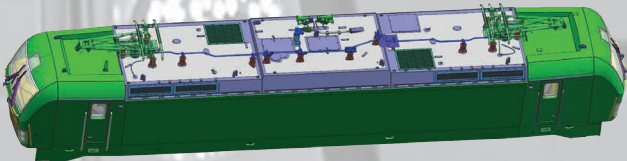
Multi-system Vectron for use in D, AT and IT



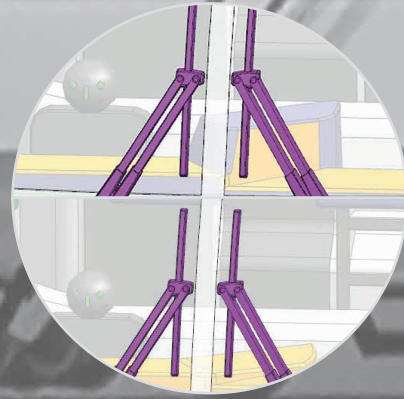
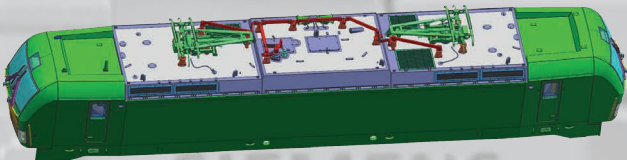
Multi-system Vectron for use in D, PL, CZ, ...



AC version for use in D and AT



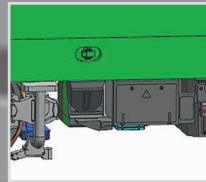
DC version for use in PL and IT



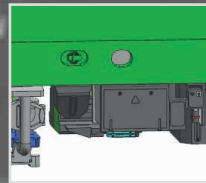
Control panel high

Control panel low

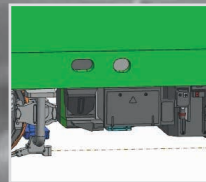
international.com



Without opening for power module

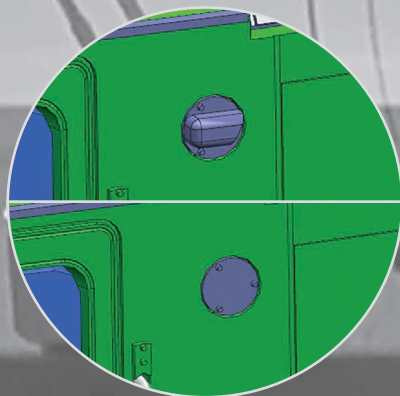


With sand box cover and
with opening for power module

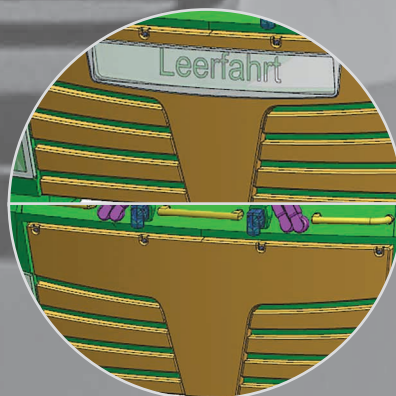


Without sand box cover and
with opening for power module

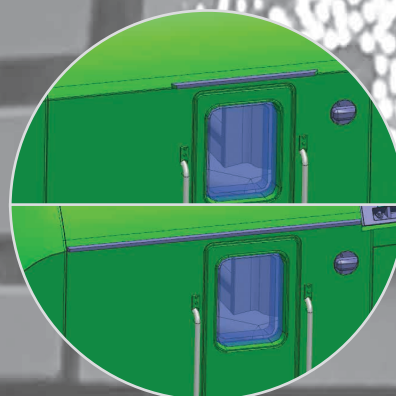
SIEMENS



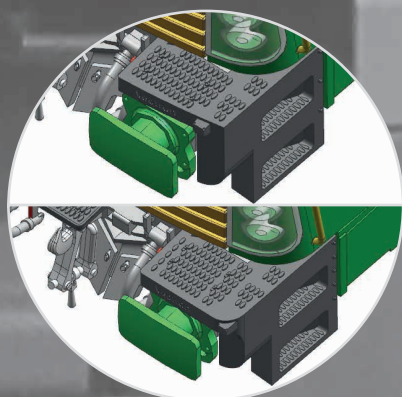
With camera
 Without camera



With destination display
 Without destination display



Short rain gutter
 Long rain gutter



Short buffer beam
 Long buffer beam

Current Vectron models

Electric locomotive 1293 001-4, ÖBB



- ▶ Official licensed model of the ÖBB
- ▶ Use in the freight transport

Art. Nr.: 73953



4/1

Art. Nr.: 73954



4/1

Art. Nr.: 79954



3/1

Electric locomotive 193 640-0, MRCE



- ▶ Use in the international freight transport
- ▶ Elaborate printing

Art. Nr.: 73978



4/1

Art. Nr.: 73979



4/1

Art. Nr.: 79979



3/1

Electric locomotive class 193, DB Cargo



- ▶ Use in the international freight transport

Art. Nr.: 73984



4/1

Art. Nr.: 73985



4/1

Art. Nr.: 79985



3/1

Electric locomotive class 471.5, GYSEV



- ▶ Use in the Eurocity traffic and cross-border freight traffic
- ▶ Matching passenger cars, Art. Nr. 74333, 74334, 74335

Art. Nr.: 73980



4/1

Art. Nr.: 73981



4/1

Art. Nr.: 79981



3/1

Electric locomotive 193 219-3, SETG



- ▶ Elaborate printing for the event „200 Years Christmas Carol Silent Night“
- ▶ Sound versions with 1st verse of „Silent Night“

Art. Nr.: 73957



4/1

Art. Nr.: 73958



4/1

Art. Nr.: 79958



3/1

Electric locomotive class 193, SBB



Photo: Siemens AG

- ▶ 193 478-5 with forename „Gottardo“ (Art. Nr. 73955, 73956, 79956)
- ▶ 193 477-7 with forename „Simplon“ (Art. Nr. 73943, 73944, 79944)
- ▶ Use in the cross-border freight traffic

Art. Nr.: 73955	=	4/1	Art. Nr.: 73956	=	4/1
Art. Nr.: 73943	=	4/1	Art. Nr.: 73944	=	4/1

Art. Nr.: 79956	~	3/1
Art. Nr.: 79944	~	3/1

Electric locomotive 1193 890-1, Cargoserv



Photo: R. Auerweck

- ▶ Matching goods wagons, Art. Nr. 67154

Art. Nr.: 73923	=	4/1	Art. Nr.: 73924	=	4/1
-----------------	---	-----	-----------------	---	-----

Art. Nr.: 79924	~	3/1
-----------------	---	-----

Electric locomotive 193 227-6, Regiojet



Photo: P. Ramabadrán

- ▶ Mainly used for long distance transport
- ▶ Matching passenger cars, Art. Nr. 74336 to 74338
- ▶ With elaborate advertising motif

Art. Nr.: 73939	=	4/1	Art. Nr.: 73940	=	4/1
-----------------	---	-----	-----------------	---	-----

Art. Nr.: 79940	~	3/1
-----------------	---	-----

Electric locomotive 193 773-9, Lokomotion



Photo: F. Fanger

- ▶ Use in the international freight transport
- ▶ Elaborate printing for the event „150 Years Brenner Railway“

Art. Nr.: 73976	=	4/1	Art. Nr.: 73977	=	4/1
-----------------	---	-----	-----------------	---	-----

Art. Nr.: 79977	~	3/1
-----------------	---	-----

Electric locomotive 193 772-1, Lokomotion



Photo: F. Fanger

- ▶ Use in the international freight transport
- ▶ Vectron with forename „Viola“

Art. Nr.: 73921	=	4/1	Art. Nr.: 73922	=	4/1
-----------------	---	-----	-----------------	---	-----

Art. Nr.: 79922	~	3/1
-----------------	---	-----

